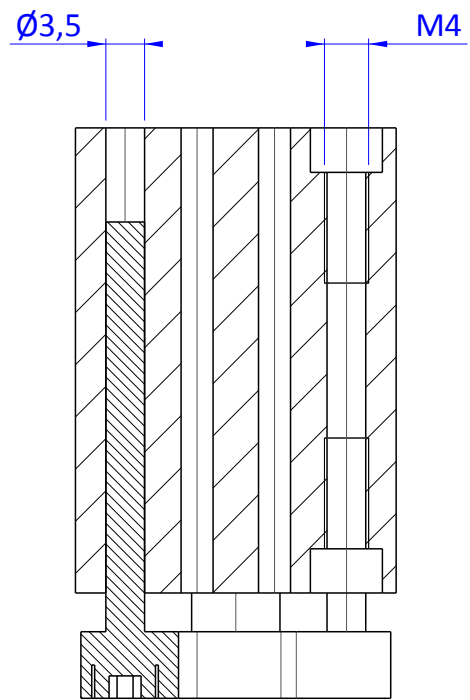
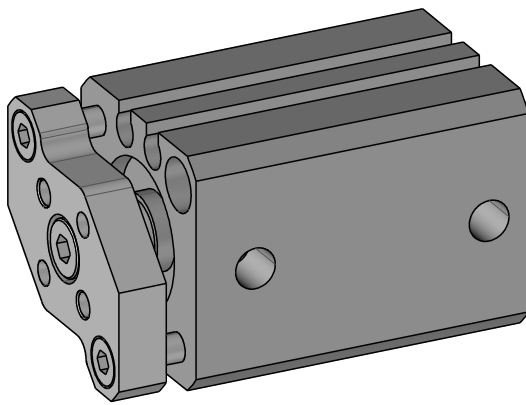
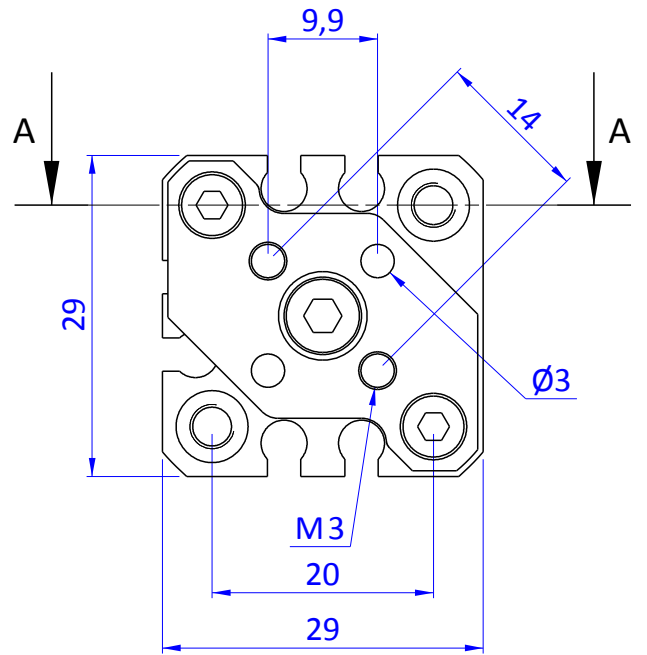
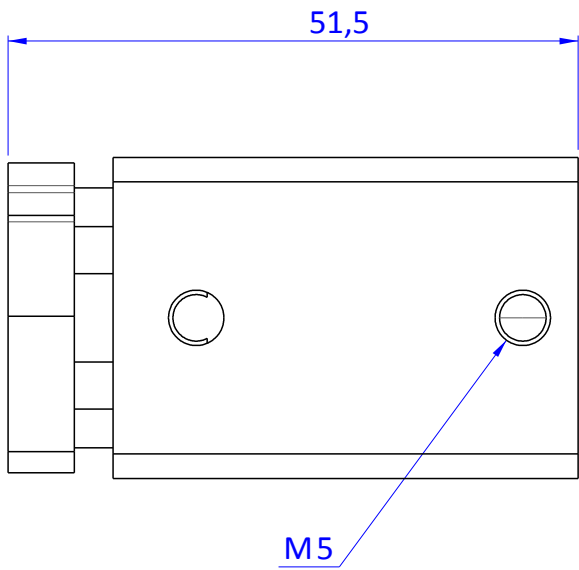

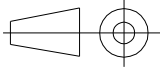


THE PROPERTY OF THE DRAWING IS ESTABLISHED BY LAW. IT IS FORBIDDEN TO PRODUCE OR SHOW IT TO THIRD PART. WITHOUT A WRITTEN AGREEMENT.



A - A

STROKE = 20 mm

<p>Format A4</p> <p>UNI 936-76</p>	 <p>FPS</p> <p>FPSSERVICES AUTOMATION</p>			DESIGNED FROM	FPS Automation	REVIEW	A
	GENERAL TOLERANCE	DESCRIPTION		DATE	05/07/2019	WEIGHT	0.097Kg
	UNI - ISO 2768	CA.11.17.004		CODE	CA.11.17.004		
CLASSE f							